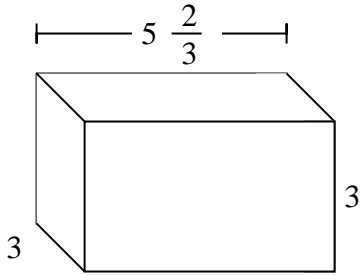


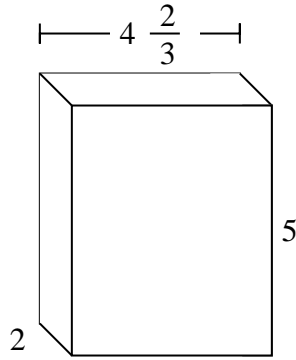


Fill each rectangular prism with cubes to determine the volume. Each prism's unit is measured in cm (not to scale).

Ex)



1)

Ex. **51 cm**

1. \_\_\_\_\_

2. \_\_\_\_\_

3. \_\_\_\_\_

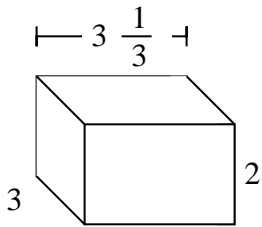
4. \_\_\_\_\_

5. \_\_\_\_\_

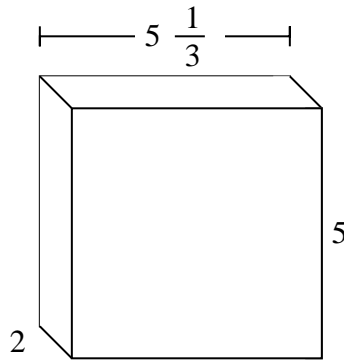
6. \_\_\_\_\_

7. \_\_\_\_\_

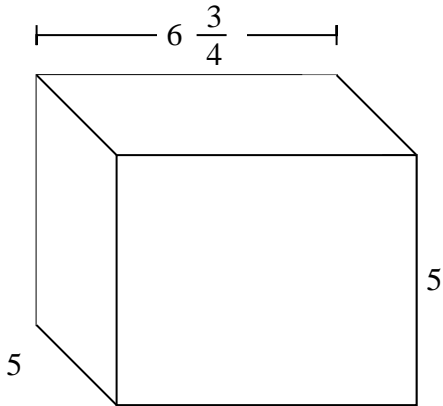
2)



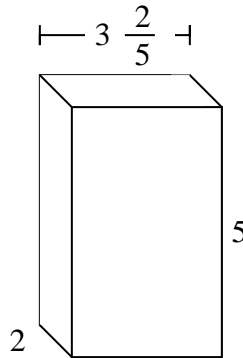
3)



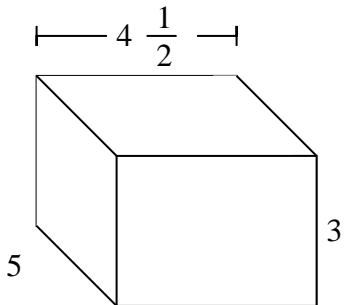
4)



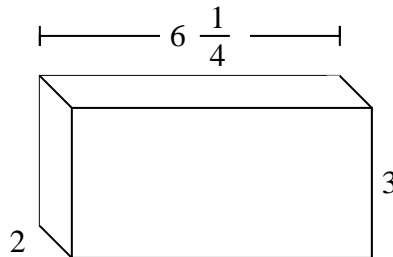
5)



6)



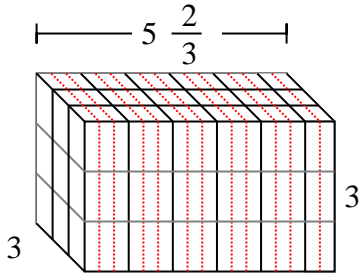
7)



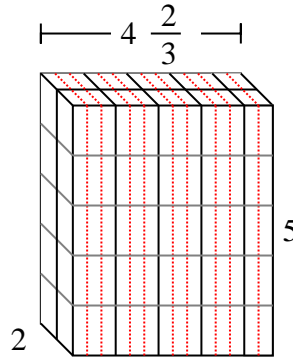


Fill each rectangular prism with cubes to determine the volume. Each prism's unit is measured in cm (not to scale).

Ex)



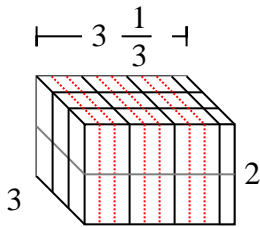
1)



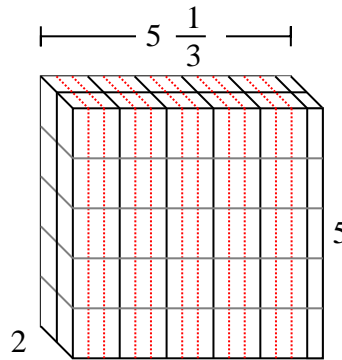
Ex.

**51 cm**

2)



3)



1.

 **$46 \frac{2}{3}$  cm**

2.

**20 cm**

3.

 **$53 \frac{1}{3}$  cm**

4.

 **$168 \frac{3}{4}$  cm**

5.

**34 cm**

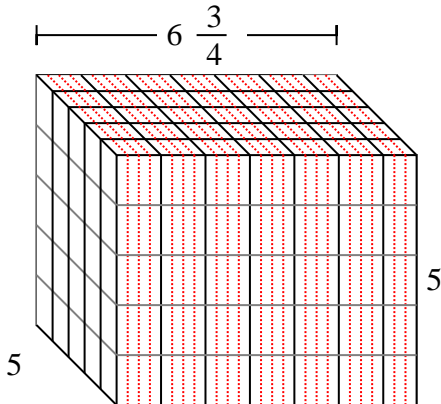
6.

 **$67 \frac{1}{2}$  cm**

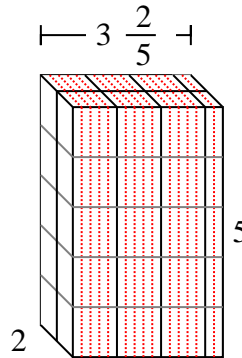
7.

 **$37 \frac{2}{4}$  cm**

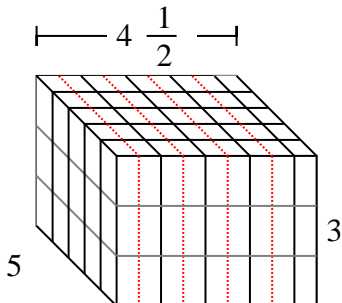
4)



5)



6)



7)

