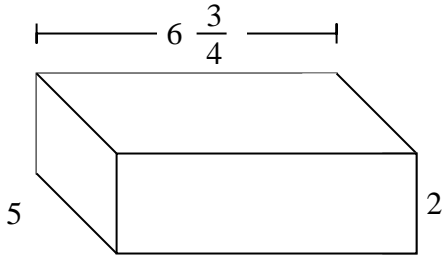


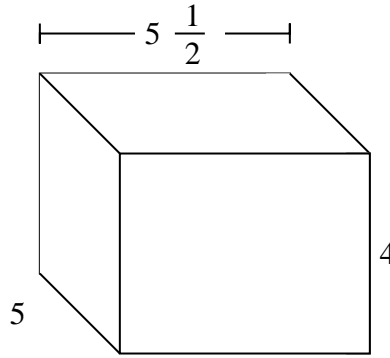


Fill each rectangular prism with cubes to determine the volume. Each prism's unit is measured in cm (not to scale).

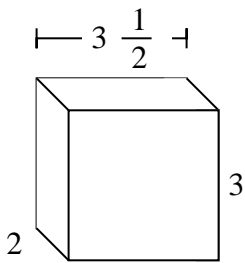
Ex)



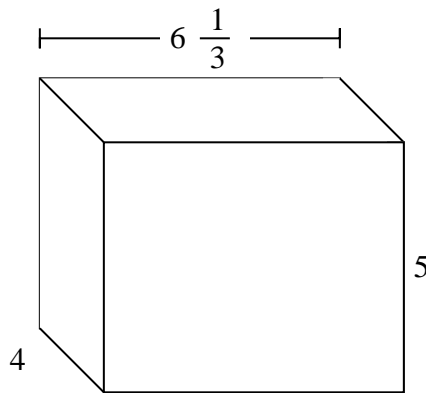
1)



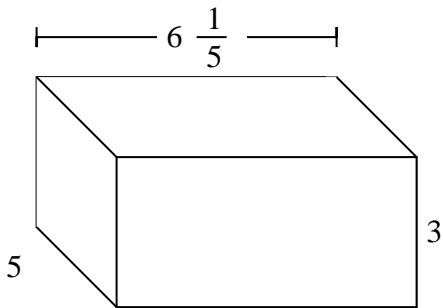
2)



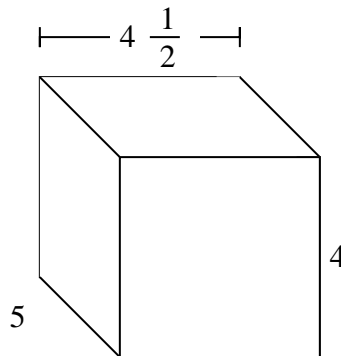
3)



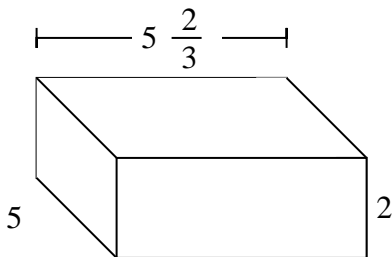
4)



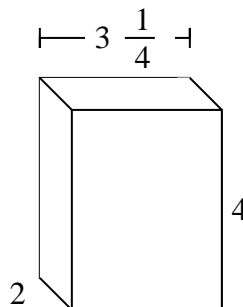
5)



6)



7)

AnswersEx. $67\frac{3}{4}$ cm

1. _____

2. _____

3. _____

4. _____

5. _____

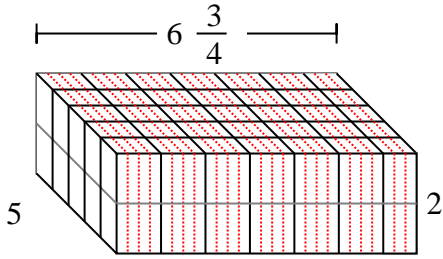
6. _____

7. _____

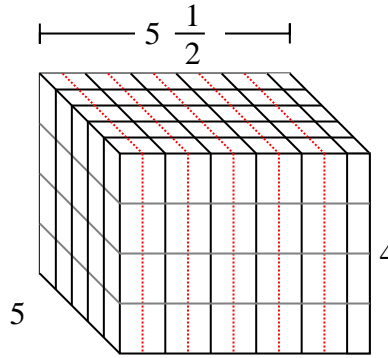


Fill each rectangular prism with cubes to determine the volume. Each prism's unit is measured in cm (not to scale).

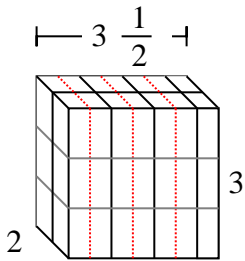
Ex)



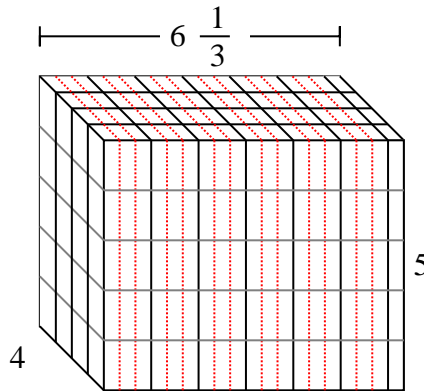
1)

Ex. $67 \frac{2}{4}$ cm1. 110 cm2. 21 cm3. $126 \frac{2}{3}$ cm4. 93 cm5. 90 cm6. $56 \frac{2}{3}$ cm7. 26 cm

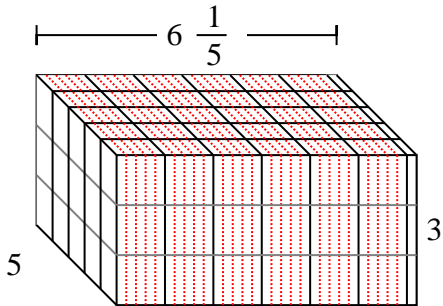
2)



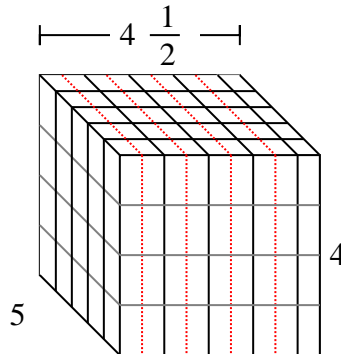
3)



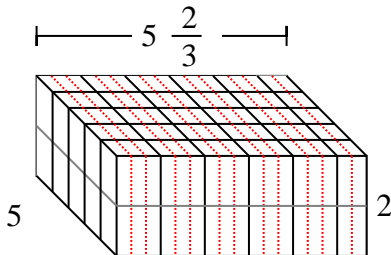
4)



5)



6)



7)

